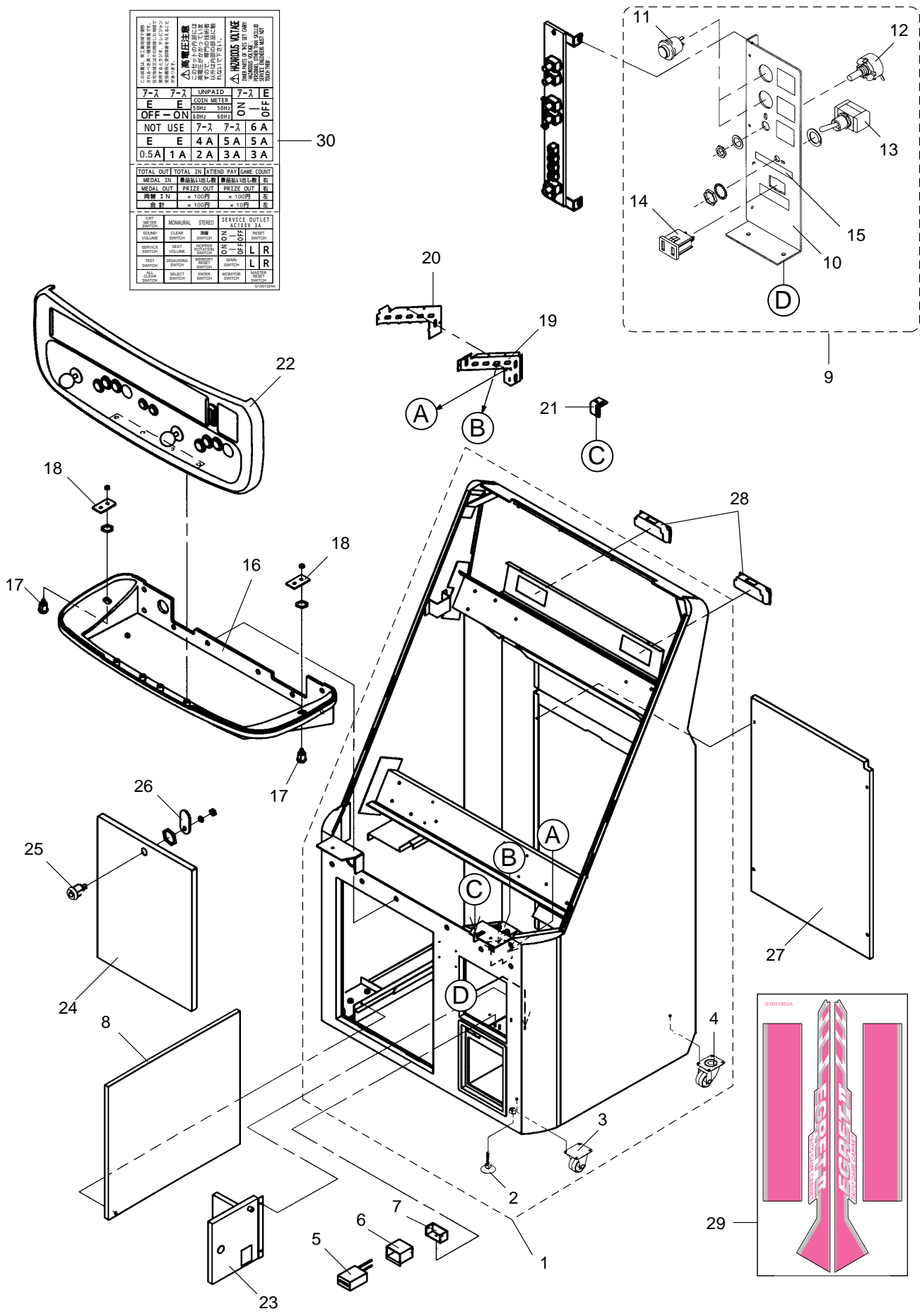
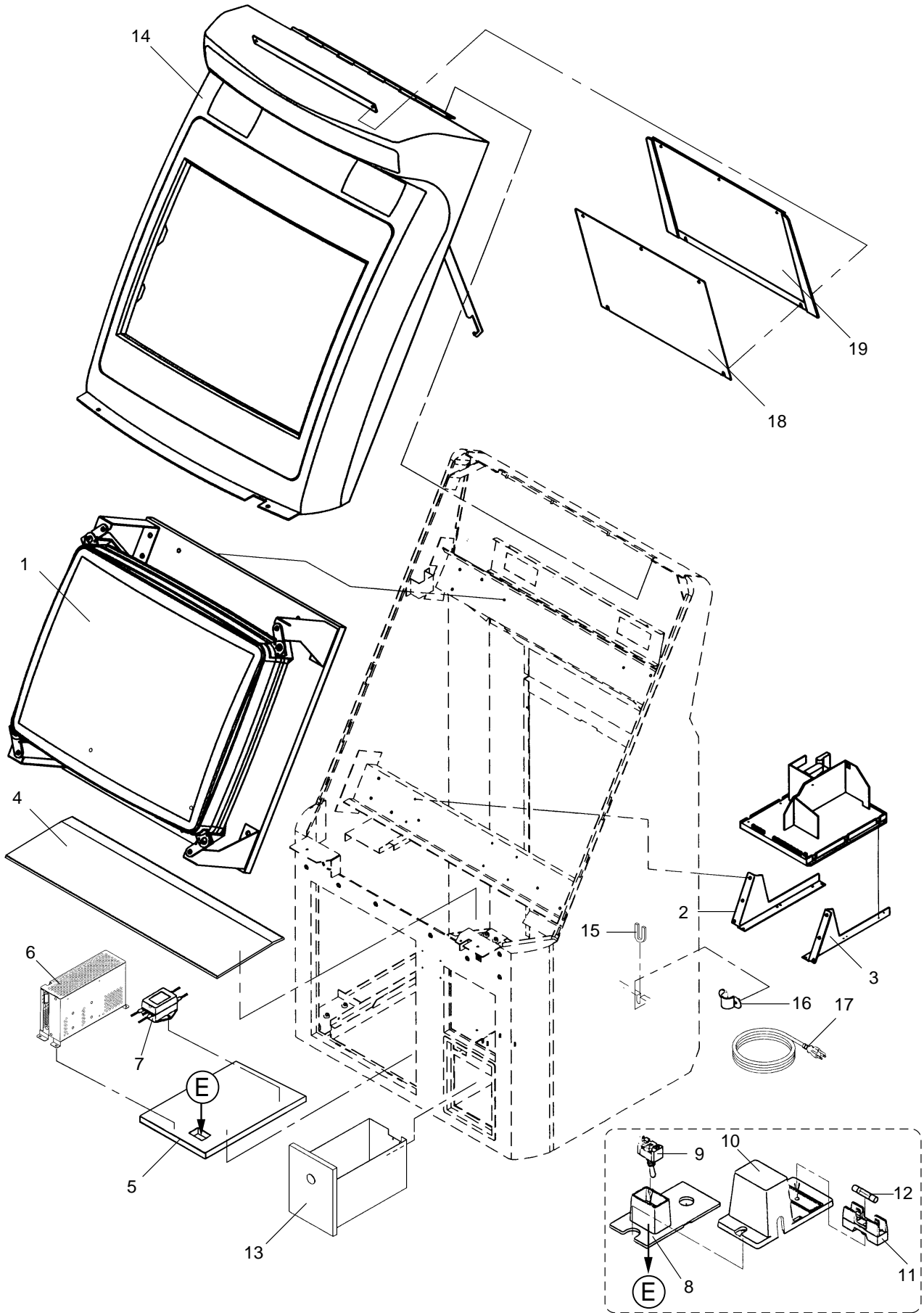


PARTS CATALOG

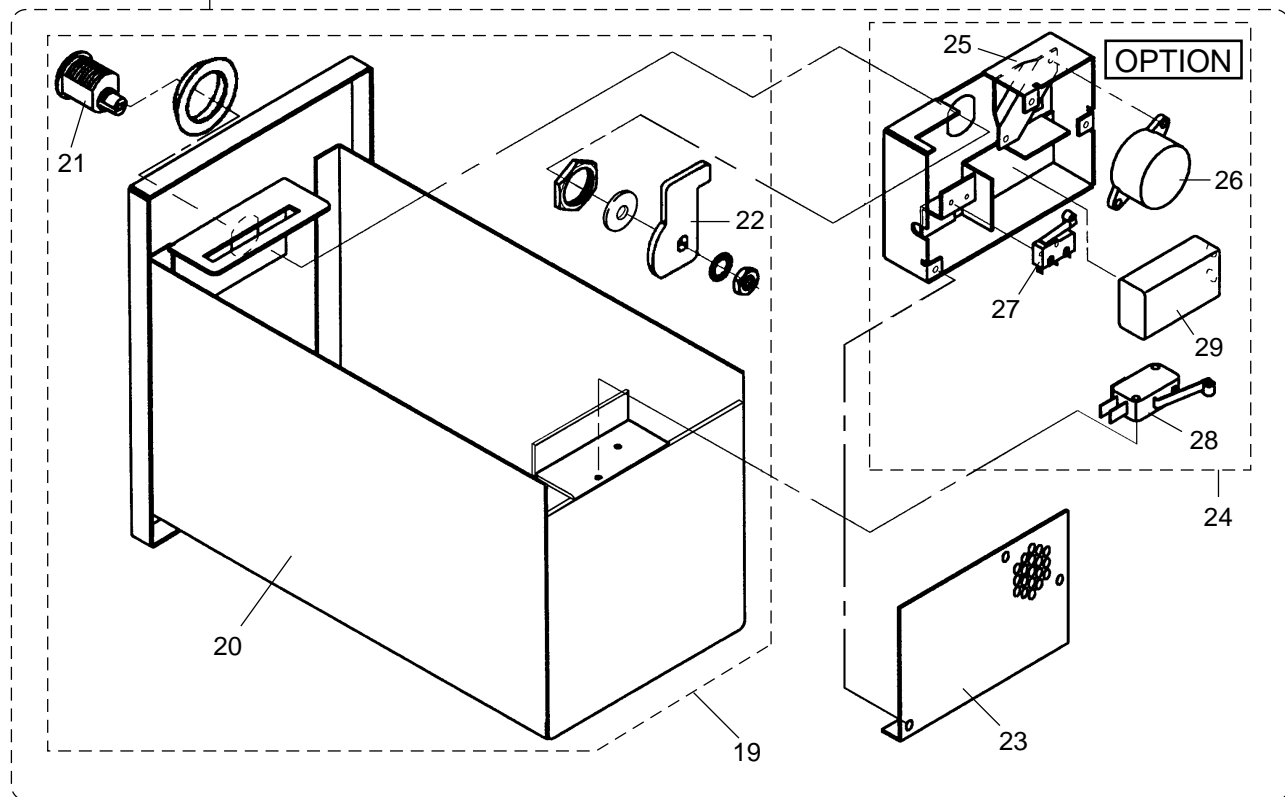
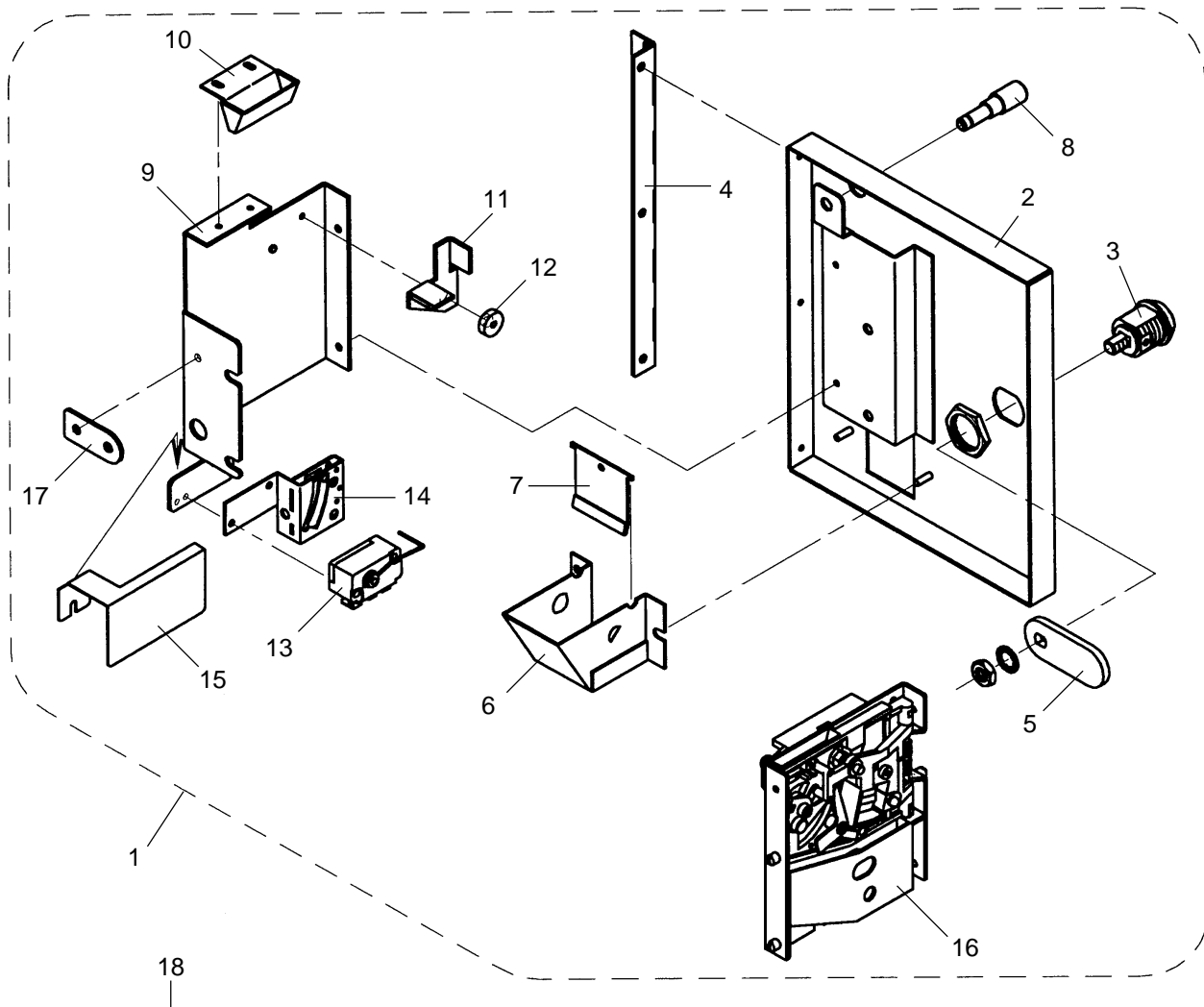
注意：本機は、電圧変動、電源変動、湿度変動、温度変動、静電気の発生、電線配線の誤り、部品取替の誤り、修理作業の誤り、使用上の誤り、などにより、故障の原因となります。		注意：本機は、電圧変動、電源変動、湿度変動、温度変動、静電気の発生、電線配線の誤り、部品取替の誤り、修理作業の誤り、使用上の誤り、などにより、故障の原因となります。		注意：本機は、電圧変動、電源変動、湿度変動、温度変動、静電気の発生、電線配線の誤り、部品取替の誤り、修理作業の誤り、使用上の誤り、などにより、故障の原因となります。	
7-λ	7-λ	UNPAID	7-λ	E	
E	E	COIN METER	OS	OF	
OFF	ON	50HZ	50HZ	50HZ	50HZ
NOT USE	7-λ	7-λ	6 A		
E	E	4 A	5 A	5 A	
0.5A	1 A	2 A	3 A	3 A	
TOTAL OUT	TOTAL IN	ATTEND PAY	GAME COUNT		
MEDAL OUT	賞品払出数	賞品払出数	遊技回数		
MEDAL IN	PRIZE OUT	PRIZE OUT	賞		
賞品	× 100円	× 100円	賞		
賞品	× 100円	× 100円	賞		
ON	MONAURAL	STEREO	SERVICE OUTLET		
SOUND	CLEAR	LINE	ON	ON	ON
VOLUME	SWITCH	SWITCH	ACCY	ACCY	ACCY
SERVICE	GREAT	ASSISTANT	PREP	PREP	PREP
SWITCH	VOLUME	SWITCH	SWITCH	SWITCH	SWITCH
TEST	REGULATOR	MEMORY	MAIN	L	R
SWITCH	SWITCH	SWITCH	SWITCH	SWITCH	SWITCH
CLEAR	SWITCH	SWITCH	SWITCH	SWITCH	SWITCH
SWITCH	SWITCH	SWITCH	SWITCH	SWITCH	SWITCH



ITEM	PARTS No.	DESCRIPTION	
1	E30 13377A	CABINET (VER.2)	WITH PARTS
2	E50 60529B	ADJUSTER BOLT	M16
3	E50 60485A	CASTER	ER50N
4	E50 60482A	CASTER	E50N
5	C17 00054B	COUNTER	NX-06R DC5V
6	F90 04275B	COUNTER COVER	
7	F90 04276B	COUNTER HOLDER	
8	D20 01635B	PCB BASE	
9	M90 04148A	CENTRAL CONTROL ASSY (VRE.2)	
10	E30 13383A	CENTRAL BRACKET (VER.2)	
11	C02 00313A	PUSH SWITCH	DS-412 2P
12	A21 06601A	VARIABLE RESISTOR WIRE	100 OHM RPH10A
13	C02 00531A	TOGGLE SWITCH	3T301D
14	C05 50485A	SERVICE OUTLET	CR-01
15	G15 01349B	SELECT STICKER	
16	F90 04274A	CONTROL BASE	
17	E50 00585A	LOCK DOUBLE	LY-1153
18	E30 13279A	LOCK PLATE 2	
19	E30 13207A	COIN CHUTE A	
20	E30 13208A	COIN CHUTE B	
21	E30 13209A	CHUTE SUPPORT	
22	M90 04152A	CONTROL PANEL BASE ASSY (VER.2)	
23	M05 00320A	REJECTOR DOOR ASSY (VER.2)	
24	E30 13145B	FRONT DOOR	
25	E50 00583A	LOCK SINGLE	LY-1153
26	E30 00009A	LOCK PLATE	
27	D20 01638B	BACK DOOR	
28	F90 04293A	PULL	THA-241-1-OD4030
29	G15 01350B	BODY STICKER SHEET	
30	G10 01324A	CABINET STICKER SHEET (VER.2)	

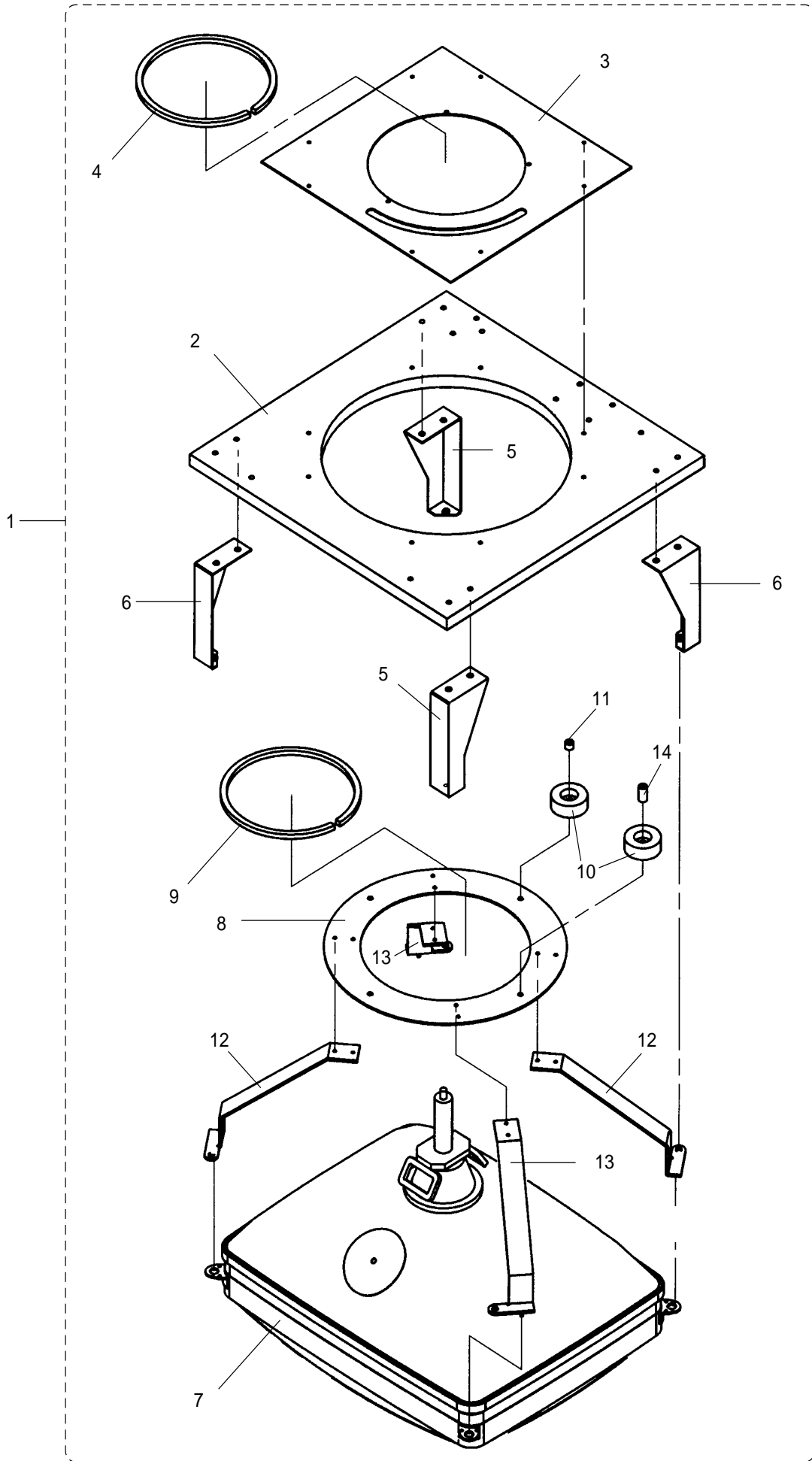


ITEM	PARTS No.	DESCRIPTION	
1	M90 04149A	MONITOR ROLL ASSY (VER.2)	
2	E30 13203A	CIRCUIT BRACKET L	
3	E30 13204A	CIRCUIT BRACKET R	
4	F90 04347A	WATER COVER (VER.2)	
5	D20 01637A	ELECTRIC BASE	
6	M41 00023B	SWITCHING REGULATOR	ETU-3MV51
7	C18 00026B	NOISE FILTER	MR-2055 250V5A
8	F90 03665A	MAIN SWITCH BASE	
9	C02 00020A	TOGGLE SWITCH	ET125A-12
10	F90 03664B	MAIN SWITCH COVER	
11	C05 50186A	FUSE HOLDER (WITHOUT COVER) 1P	F-7101
12	C16 00037A	FUSE	5A 125V(6.3X30)
13	M04 00086A	CASH BOX ASSY (VER.2)	WITH OUT ALARM
14	M90 04150A	FRONT PANEL ASSY (VER.2)	
15	F90 03414A	NYLON GROMMET	NGK-024
16	F90 00048A	CORD STOP	
17	C07 00329A	AC CORD WITH PLUG	3P -F- 3M
18	F90 04294B	INSTRUCTION COVER	
19	F90 04278A	INSTRUCTION PANEL	
	L10 00316B	MAIN HARNESS (VER.2)	
	L90 03919A	FG HARNESS	

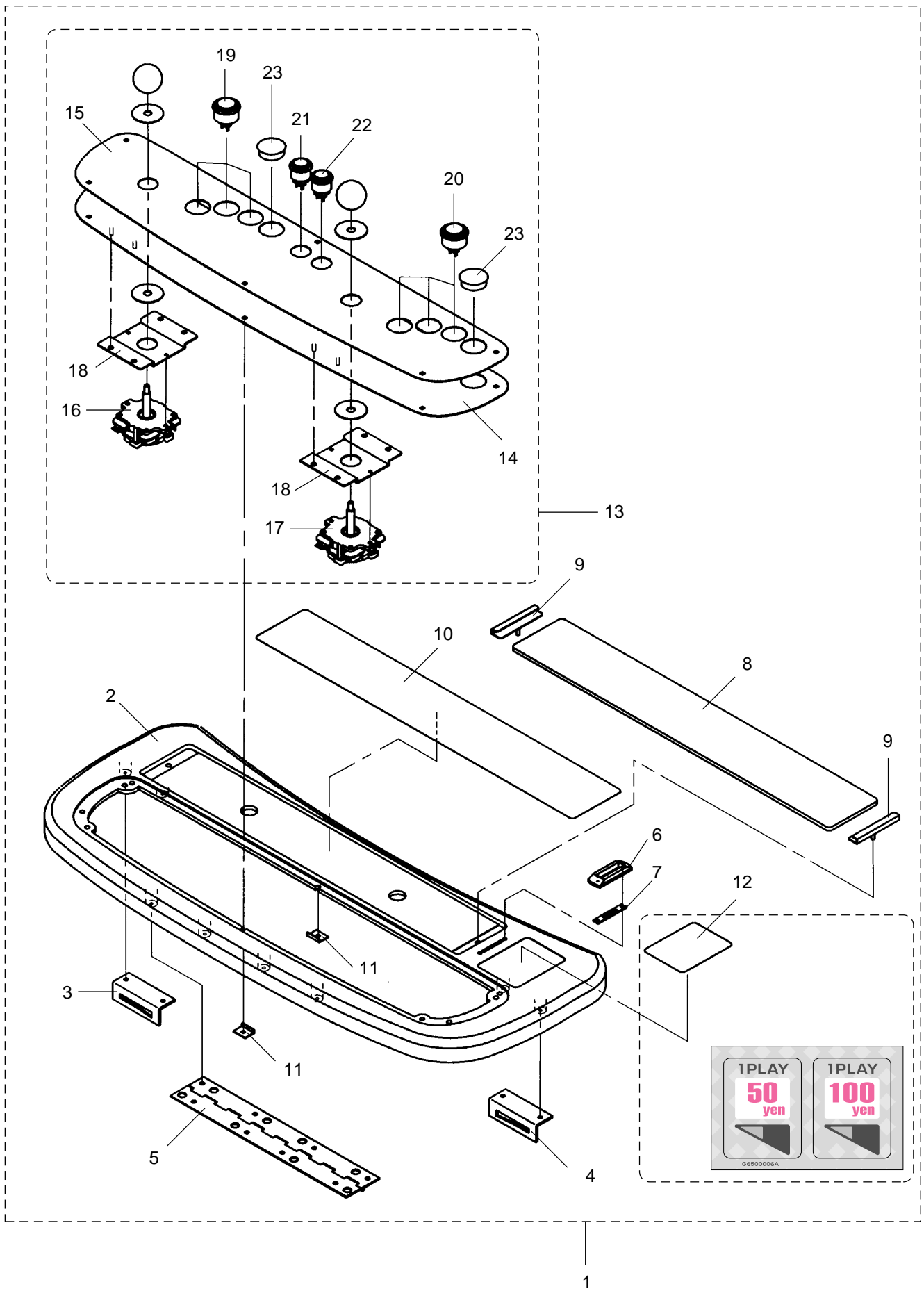


30—警報装置付

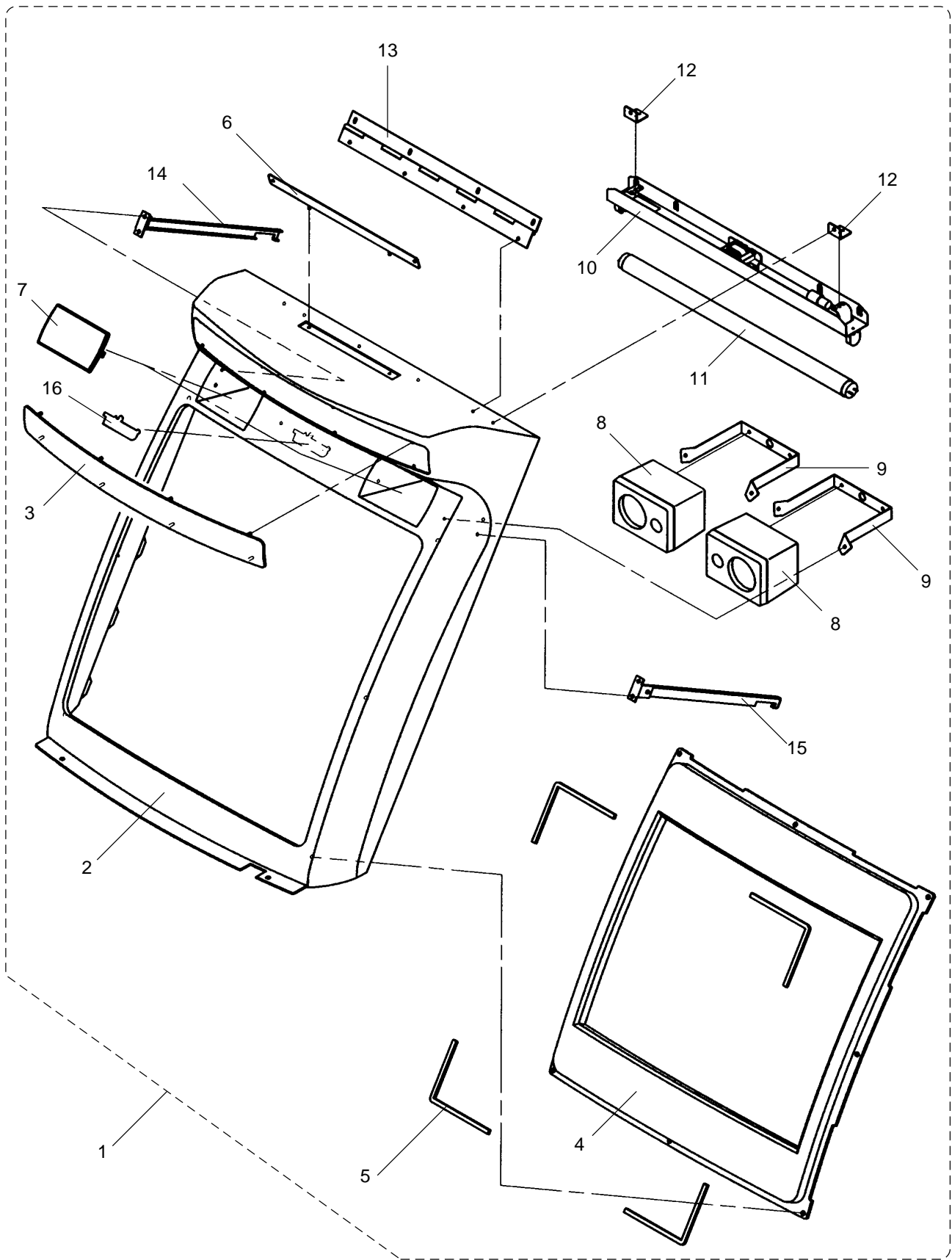
ITEM	PARTS No.	DESCRIPTION		
1	M05 00313A	REJECTOR DOOR ASSY		
2	E30 13148A	REJECTOR DOOR		
3	E50 00582A	LOCK & KEY	SINGLE	LY-1153
4	E50 60565A	DOOR HINGE		
5	E30 00009A	LOCK PLATE		
6	E30 09248A	CUP		
7	E30 03641A	SHUTTER		
8	E10 00928A	CANCEL ROD		
9	E30 13219A	REJECTOR HOLDER		
10	E30 09953A	COIN GUIDE		
11	E30 12094A	CANCEL LEVER		
12	E10 01508A	SPACER		
13	C02 00533A	MICRO SWITCH	E53-00R-009A	CHERRY
14	E30 13220A	M.S. COIN GUIDE		
15	E30 00180A	ACTUATOR COVER		
16	E50 40196A	REJECTOR		AD-81P2 ¥100
17	E30 13221A	REJECTOR PLATE		
18	M04 00085A	CASH BOX ASSY (VER.2)		WITH ALARM UNIT
19	M04 00086A	CASH BOX ASSY (VER.2)		WITH OUT ALARM
20	E30 13379A	CASH BOX (VER.2)		
21	E50 00609A	Z LOCK(LARGE RING)		C864 R W/2 90
22	E30 13471A	LOCK PLATE(Z LOCK)		
23	E30 13274B	BUZZER COVER(S)		
24	M90 04093A	ALARM ASSY		EGRET2
25	E30 13272A	BUZZER BOX(S)		
26	C13 00020A	BUZZER		EFB-CC28C11 MAT
27	C02 00183A	MICRO SWITCH		SS-5GL2
28	C02 00539A	MICRO SWITCH		E22-50K
29	C19 00015A	BATTERY		9VS-006P
	C19 00086A	BATTERY SOCKET	DC9V	AH-991
	L90 03765A	BUZZER HARNESS		
30	G10 01325A	CAUTION STICKER (VER.2)		ALARM UINT



ITEM	PARTS No.	DESCRIPTION	
1	M90 04149A	MONITOR ROLL ASSY (VER.2)	
2	D20 01636B	VIDEO BOARD	
3	E30 13384A	UNDER BASE (VER.2)	
4	F90 03414A	NYLON GROMMET	NGK-024
5	E30 13201B	VIDEO SUPPORT L	
6	E30 13202B	VIDEO SUPPORT R	
7	M11 00019A	VIDEO ASSY 29	MS9-29T
8	E30 10606A	VIDEO BASE	
9	F90 03609A	NYLON GROMMET	NGK-032
10	F90 03142B	MONITOR ROLLER	
11	E10 01296A	COLLER S	
12	E30 10607A	VIDEO ANGLE A	
13	E30 10608A	VIDEO ANGLE B	
14	E10 01295A	COLLER L	

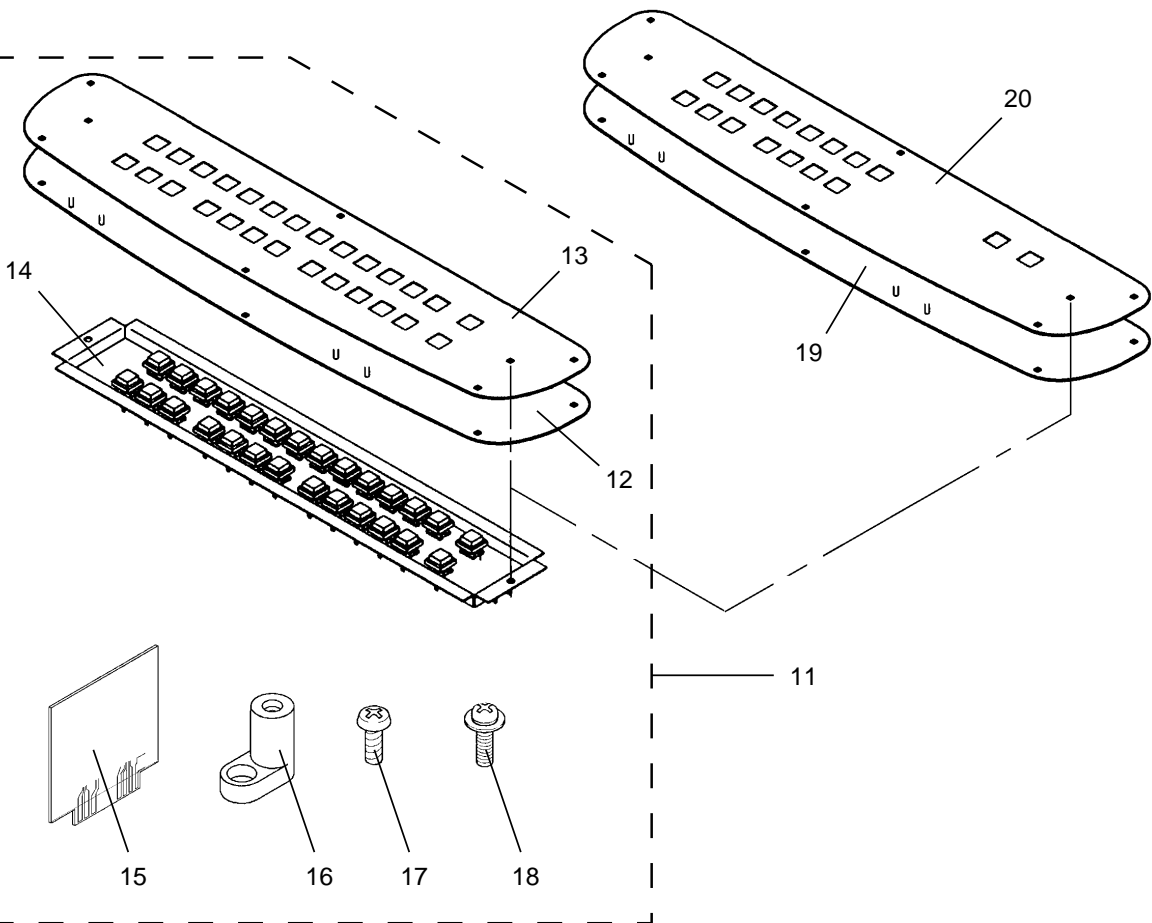
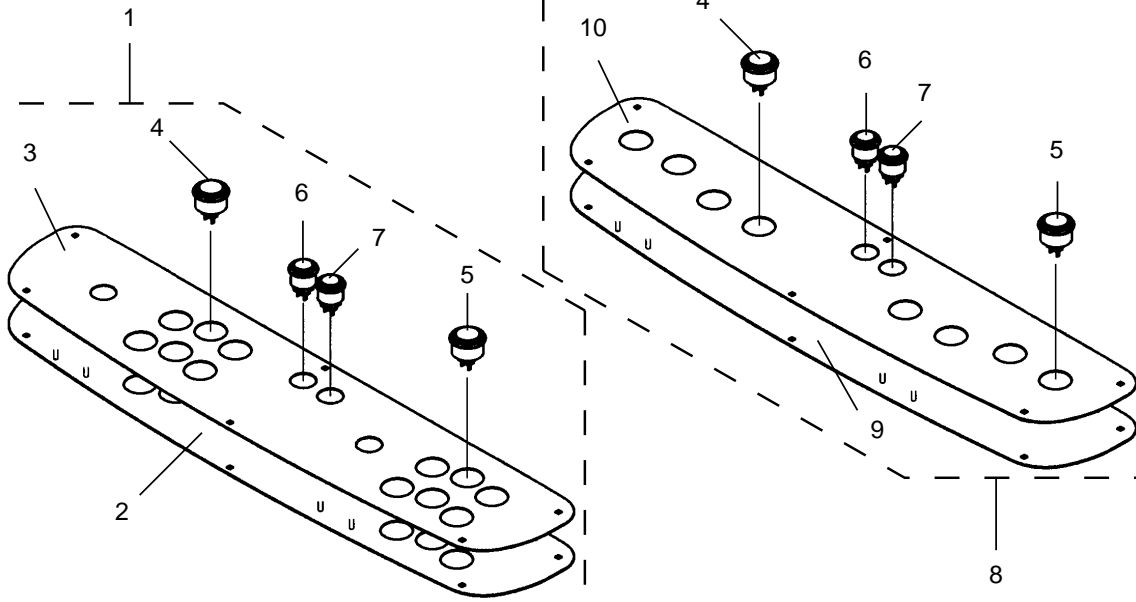


ITEM	PARTS No.	DESCRIPTION		
1	M90 04152A	CONTROL PANEL BASE ASSY (VER.2)		
2	F90 04273A	CONTROL PANEL		
3	E30 13275A	KEY HOOK L		
4	E30 13276A	KEY HOOK R		
5	E50 60564A	CONTROL HINGE		
6	F90 04277A	COIN ENTRY MOLDING	500YEN,100YEN,50YEN	
7	E30 00262A	COIN ENTRY PLATE		
8	H10 05080A	GLASS		
9	E30 13216A	GLASS STOPPER		
10	G15 01392A	DISPLAY CARD		
11	E30 13218A	PLATE STOPPER		
12	G65 00006B	PRICE STICKER SHEET		
13	M03 15223A	CONTROL PLATE ASSY (VER.2)		2J8B
14	E30 13217A	CONTROL PLATE		2J8B
15	G15 01347B	CONTROL STICKER		2J8B
16	M10 00178A	JOYSTICK VIOLET		JLF-TP-8
17	M10 00179A	JOYSTICK DARK BLUE		JLF-TP-8
18	E30 13247A	JOYSTICK BRACKET		
19	C02 00532A	SPEED PUSH BUTTON VIOLET		OBSF-30
20	C02 00536A	SPEED PUSH BUTTON DARK BLUE		OBSF-30
21	C02 00535A	SPEED PUSH BUTTON VIOLET		OBSF-24
22	C02 00537A	SPEED PUSH BUTTON DARK BLUE		OBSF-24
23	F90 01053A	BUTTON COVER D=30		DP-1187
	L30 00506B	K HARNESS		2J8B
13	M03 15224A	CONTROL PLATE ASSY (2J12B)	EGRET2(VER.2)	
14	E30 13223A	CONTROL PLATE		2J12B
15	G15 01348B	CONTROL STICKER		2J12B
16	M10 00178A	JOYSTICK VIOLET		JLF-TP-8
17	M10 00179A	JOYSTICK DARK BLUE		JLF-TP-8
18	E30 13247A	JOYSTICK BRACKET		
19	C02 00532A	SPEED PUSH BUTTON VIOLET		OBSF-30
20	C02 00536A	SPEED PUSH BUTTON DARK BLUE		OBSF-30
21	C02 00535A	SPEED PUSH BUTTON VIOLET		OBSF-24
22	C02 00537A	SPEED PUSH BUTTON DARK BLUE		OBSF-24
	L30 00507B	K HARNESS		2J12B



ITEM	PARTS No.	DESCRIPTION	
1	M90 04150A	FRONT PANEL ASSY (VER.2)	
2	F90 04271B	FRONT PANEL	
3	G95 00979B	ILLUMINATION PANEL	
4	F90 04272A	VIDEO MASK	
5	F90 04292A	VIDEO SPONGE	1025X8X5
6	E30 13382A	INSTRUCTION STAND A (VER.2)	
7	E30 13210A	SPEAKER COVER	
8	M10 00176A	SPEAKER UNIT	
9	E30 13211A	SPEAKER BOX BRACKET	
10	M10 00177A	FL ASSY	LW-21198T7
11	C15 00044A	FL LAMP FL 20SD(チリウツカシヨク)	100V 20W
12	E30 13212A	FL BRACKET	
13	E50 60563A	TOP HINGE	
14	E90 01067B	PANEL STAY L	
15	E90 01068B	PANEL STAY R	
16	G15 01346A	TAITO STICKER SHEET	

OPTION



ITEM	PARTS No.	DESCRIPTION	
1	U01 00259A	CONTROL PLATE ATTACHED PARTS (2J12B)	EGRET2(VER.2)
2	E30 13223A	CONTROL PLATE	2J12B
3	G15 01348B	CONTROL STICKER	2J12B
4	C02 00532A	SPEED PUSH BUTTON	VIOLET OBSF-30
5	C02 00536A	SPEED PUSH BUTTON	DARK BLUE OBSF-30
6	C02 00535A	SPEED PUSH BUTTON	VIOLET OBSF-24
7	C02 00537A	SPEED PUSH BUTTON	DARK BLUE OBSF-24
	L30 00507B	K HARNESS	2J12B
8	U93 00232A	CONTROL PLATE KIT	EGRET2 QUIZ
9	E30 13375A	CONTROL PLATE	QUIZ
10	G15 01391A	CONTROL STICKER	QUIZ
	L30 00511A	K HARNESS	QUIZ
11	U93 00230A	CONTROL PLATE KIT EGRET2 MAHJONG	
12	E30 13298A	CONTROL PLATE	MAHJONG
13	G10 01307A	CONTROL STICKER	MAHJONG
14	N52 25068A	キーボードシャーシ ASSY マージョン(ハーネス付)	
15	K41 X0003A	MULTI COUNTER DRIVE P.C.BORAD ASSY	
16	F90 00668A	RES LOCK	OL-E3
17	P52 00104A	BIND HD TAP TIGHT	
18	P52 00117A	PAN HD SEMUTH SCREW(S)	
19	E30 13229A	CONTROL PLATE	HANAFUDA
20	G10 01308A	CONTROL STICKER HANAFUDA	HANAFUDA